



KINETICO PREMIER RO

Owner's Manual



Model/Product Number:
Kinetico Premier RO (100-0006)

Premier RO Reverse Osmosis Equipment

Owner's Manual



Congratulations for choosing Kinetico to improve the quality of your water. You will immediately begin to notice the numerous benefits of having quality water in your home and the benefits of having a Kinetico water treatment system.

Since 1970, Kinetico Incorporated has designed and manufactured products to improve the quality of your water. Kinetico offers a complete line of quality water systems to solve your water problems. Pioneers in non-electric, demand operated water treatment, Kinetico continually sets the direction for the entire water quality industry.



Table of Contents

Before using your equipment	4
Getting to know your equipment	6
How to install your Premier RO	7
Instructions for use	13
Maintaining your Premier RO	15
System Specifications	16
Troubleshooting	17

Kinetico Denmark ApS
Sandvadsvej7
4600 Køge
Denmark

Kinetico Canada Incorporated
21 Parr Blvd., Unit 10
Bolton, ON L7E 4G3
Canada
www.kinetico.ca

Kinetico Incorporated
10845 Kinsman Rd.
Newbury, Ohio, 44065
USA
www.kinetico.com

Kinetico UK Limited
Bridge House
Park Gate Business
Centre
Chandler's Way
Park Gate SO 31 1FQ
England
www.kinetico.co.uk

Kinetico France
Sarl
B.P. 80528 Osny
95528 Cergy-Pontoise Cedex
France
www.kinetico.fr

Kinetico Germany GmbH
c/o SKW Schwarz
Rechtsanwälte
Mörfelder Landstraße 117
60598 Frankfurt am Main
Germany



Before using your equipment

Read all safety information and follow the instructions described in this Owner's Manual prior to installing and using the Premier Reverse Osmosis equipment.

It is important that before installation and setup, you check the box and the condition of the equipment, in order to guarantee that it has not been damaged during transport. Be sure to have the equipment installed by qualified personnel; failure to install the system as instructed could invalidate the warranty, and the company shall not be liable for any damage caused by the improper use of the equipment.

ATTENTION: If the water to be treated does not come from a public water supply or is of unknown origin, it will be necessary to carry out further bacteriological and chemical analysis of the water to ensure its correct purification, **PRIOR TO THE INSTALLATION** of the equipment. Please contact your dealer for advice on the most appropriate solution for your situation.

Conditions for correct equipment operation:

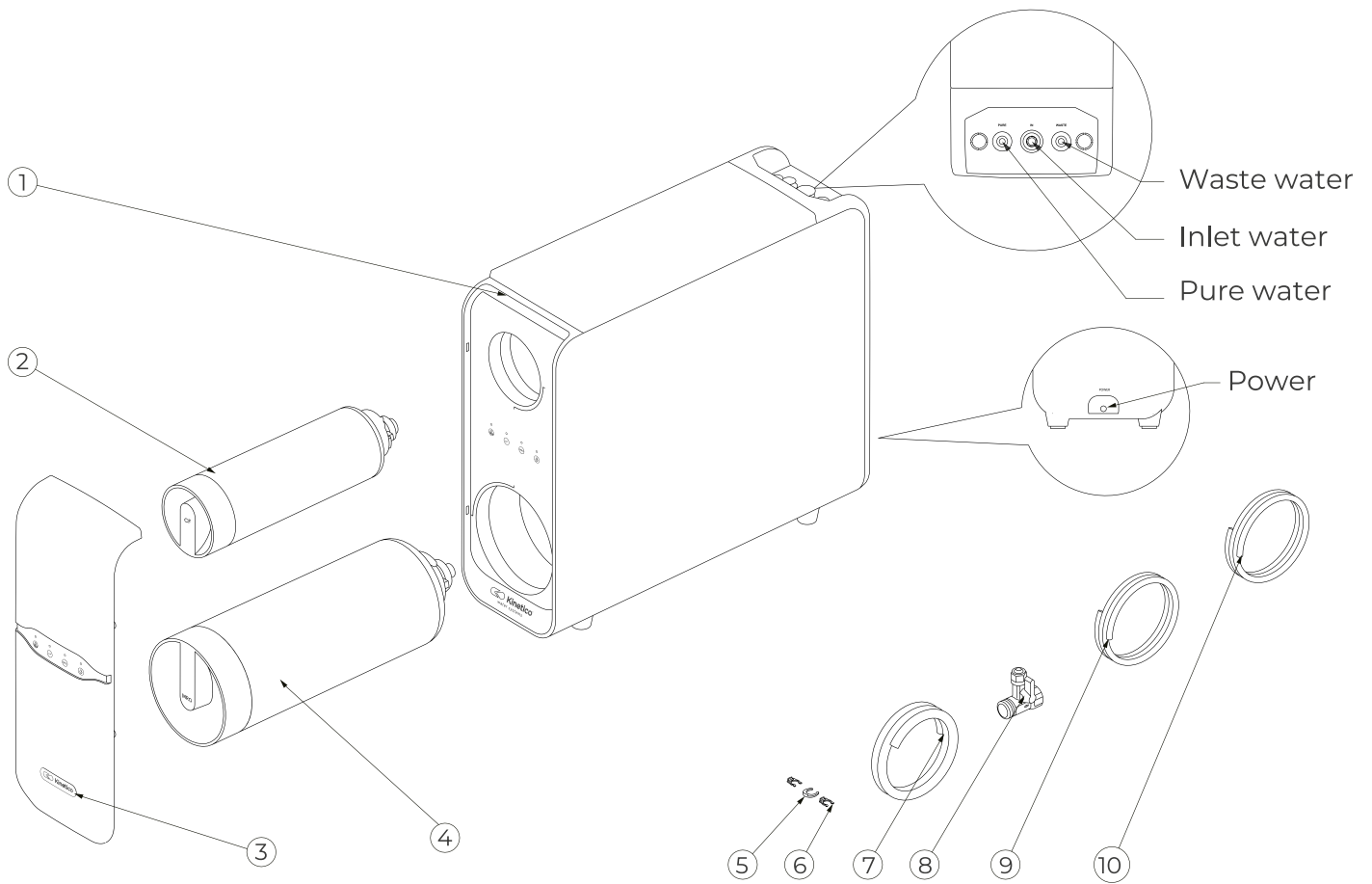
- This product is for domestic use to treat municipal water; for requirements beyond normal home usage, please consult your dealer.
- This water purifier should be installed on level ground, and should not be assembled suspended or upside down. Do not place heavy loads on top to avoid damage to the equipment.
- Water treatment equipment should never be installed in direct sunlight, near a heat source, or in a location where it might be exposed to hazardous chemicals or damaged by falling items.
- **WATER:** water should be $>5^{\circ}\text{C}$ and $<38^{\circ}\text{C}$.
- **EXTERIOR:** The ambient temperature must be between 4°C and 40°C . When the water temperature or ambient temperature drop below 5°C , please close the water supply line of this water purifier and drain the water in the equipment. If the water supply line or the water purifier freezes, it may cause damage, failure, and possibly even damage to the home beyond the equipment itself.



- Before use, please make sure that the voltage supplied is correct. Only use the original power adapter and verify that there is no damage to the power cord or plug. Regularly check that there are no loose wires or damage to the power supply. In case of any damage, do not continue to use the water purifier, and immediately contact your dealer for testing and repair.
- Do not touch the power cord connector with wet hands, which may result in electric shock.
- Never install this water purifier on a water supply line with water pressure greater than 0.4MPa. If the inlet water pressure exceeds 0.4Mpa, a relief valve must be installed (to be purchased separately).
- Clean the water purifier with a damp cloth; do not spray liquids directly on the equipment, nor use abrasive cleaning supplies or corrosive liquids such as acetone.
- For regular maintenance and filter changes of the water purifier, please contact your dealer or another authorized after sales technical service provider. Replacement of filters or other components must be done with authorized parts and accessories; quality problems, reduced performance and damage resulting from the use of unauthorized parts and accessories are not covered by the warranty.
- Do not take apart or modify the water purifier, which may cause malfunction or leaks.
- The equipment must be periodically sanitized by qualified technical service personnel, and hygienic conditions must be maintained when handling parts of the system that are in direct contact with water in order to reduce the risk of internal contamination of the appliance.
- Any failure caused by improper use will not be covered by the warranty. Do not force the power cord when unplugging.
- Regularly check the unit and all of its tubing accessories for excess external moisture, to avoid any property damage caused by leakage.
- Some of the installation accessories may vary depending on the model and region in which the equipment is distributed.



Getting to know your equipment



- | | |
|----------------|-------------------------|
| 1. Main unit | 6. 1/4" clip |
| 2. CF filter | 7. 3/8" PE tube (white) |
| 3. Front cover | 8. T-ball valve |
| 4. RO Membrane | 9. 1/4" PE tube (white) |
| 5. 3/8" clip | 10. 1/4" PE tube (red) |



How to install your Premier RO

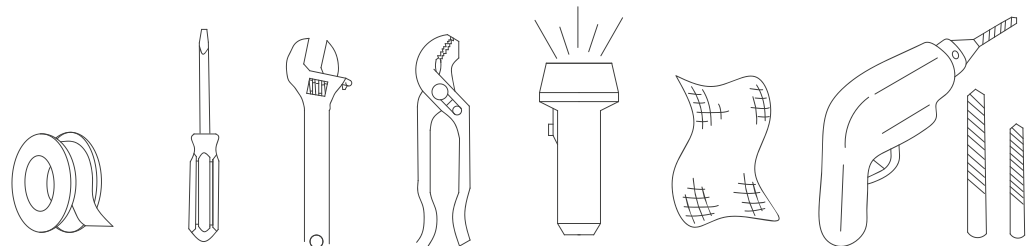
Read all safety information and follow the instructions described in this Installation and User Manual prior to installing and using the Premier Reverse Osmosis equipment.

Location of the equipment:

1. This equipment should not be installed lying down or tilted, as the leak sensor could be disabled.
2. Because the unit weighs more when filled with water, the distribution of weight in an unexpected position might cause a connection element to be forced out of position, which could result in a malfunction or damage to equipment components, or water leakage.
3. Under no circumstances should the equipment be installed outdoors.

Prepare the tools you will need for the installation:

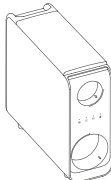
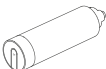
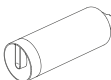
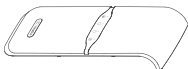
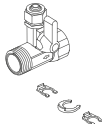




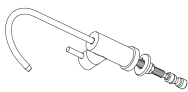
- Teflon tape
- Screwdriver
- Wrench
- Tube scissors
- Electric torch
- Duster cloth
- Electric drill



ATTENTION: All tools to be used for assembly and installation must be clean, disinfected, and free of any grease or oil. The work must be carried out in hygienic conditions, taking extreme precautions with everything related to materials and components that may come in contact with the water to be treated or consumed. Avoid the risk of external contamination of the equipment due to improper handling by using gloves, hand sanitizer, or frequent hand washing.



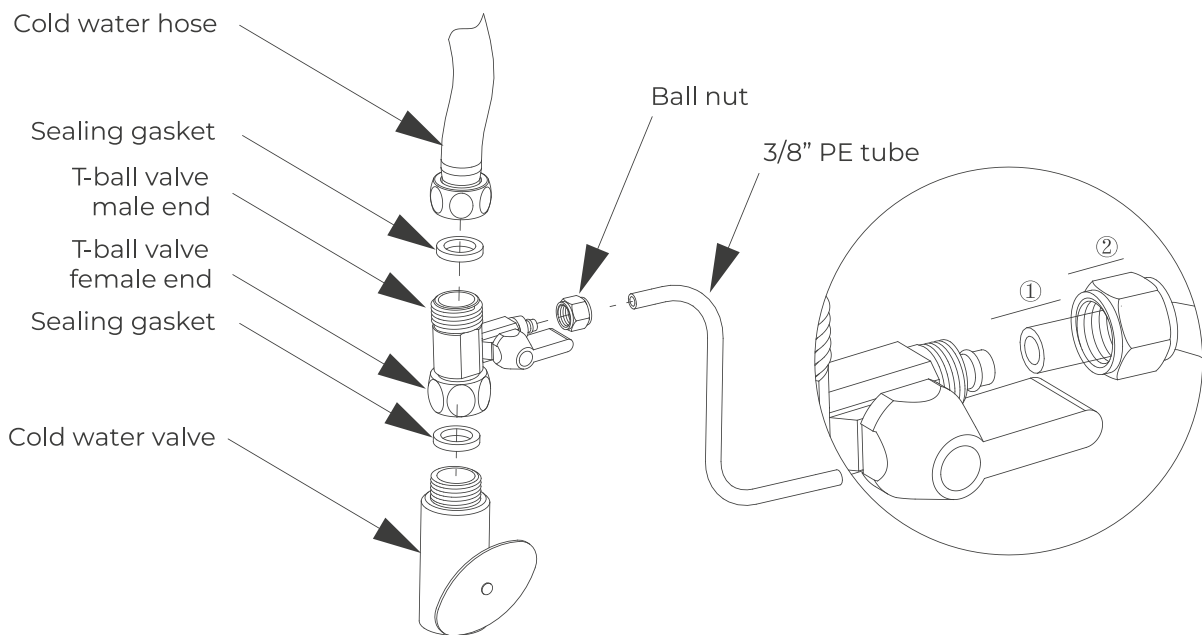
Confirm that you have all the items indicated in the packing list:

No.l	temQ	Quantity	Image	Remark
1	Main unit	1		NA
2	CF Filter	1		NA
3	RO Membrane	1		NA
4	Front panel	1		NA
5	3-way connector accessory pack	1		Includes: 1 pc T-Ball valve 1 pc 3/8" clip 2 pcs 1/4" clip
6	1/4" PE Tube (white)	1		1 meter
7	1/4" PE Tube (red)	1		1 meter
8	3/8" PE Tube (white)	1		1 meter
9	Owner's manual	1		NA
10	Faucet (optional)	1		NA

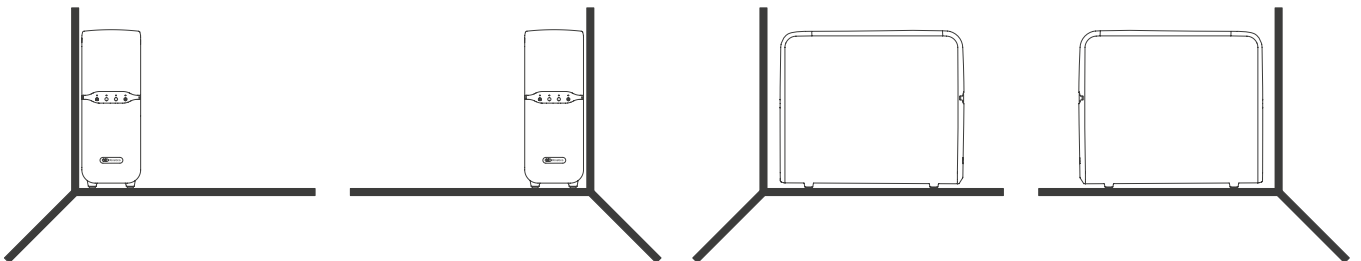


Installation steps:

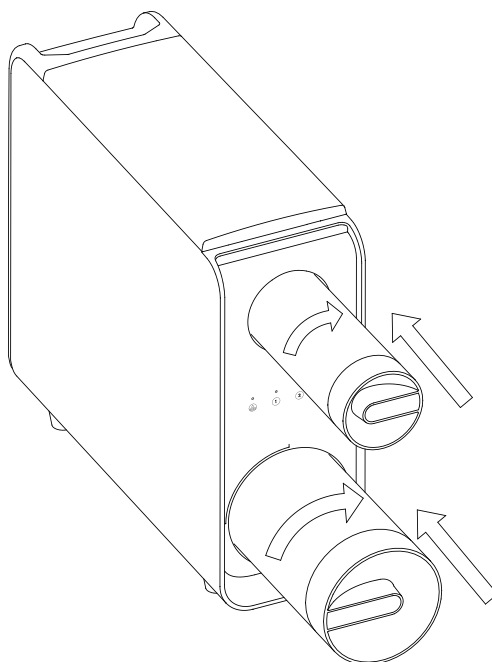
1. Close the cold water valve and remove the cold water hose from the valve.
2. Install the female end of the T-ball valve on the cold water valve and tighten it with a wrench (do not miss the sealing gasket on the T-ball valve when installing).
3. Install the male end of the T-ball valve on the cold water hose and tighten it with a wrench (do not miss the sealing gasket on the cold water hose when installing).
4. Pass the 3/8" PE tube through the ball nut on the T-ball valve and press into the convex connector on the angle valve, pressing it to the end and tightening the ball valve nut with a wrench.



5. The normal placement of the unit will be under the kitchen sink or in an attached cabinet. Position the unit on level ground and in a location so that the electric and hydraulic connections are orderly and untangled, and will not be disturbed by normal daily use. Do not place heavy loads on top, nor expose the equipment to chemicals or direct heat.



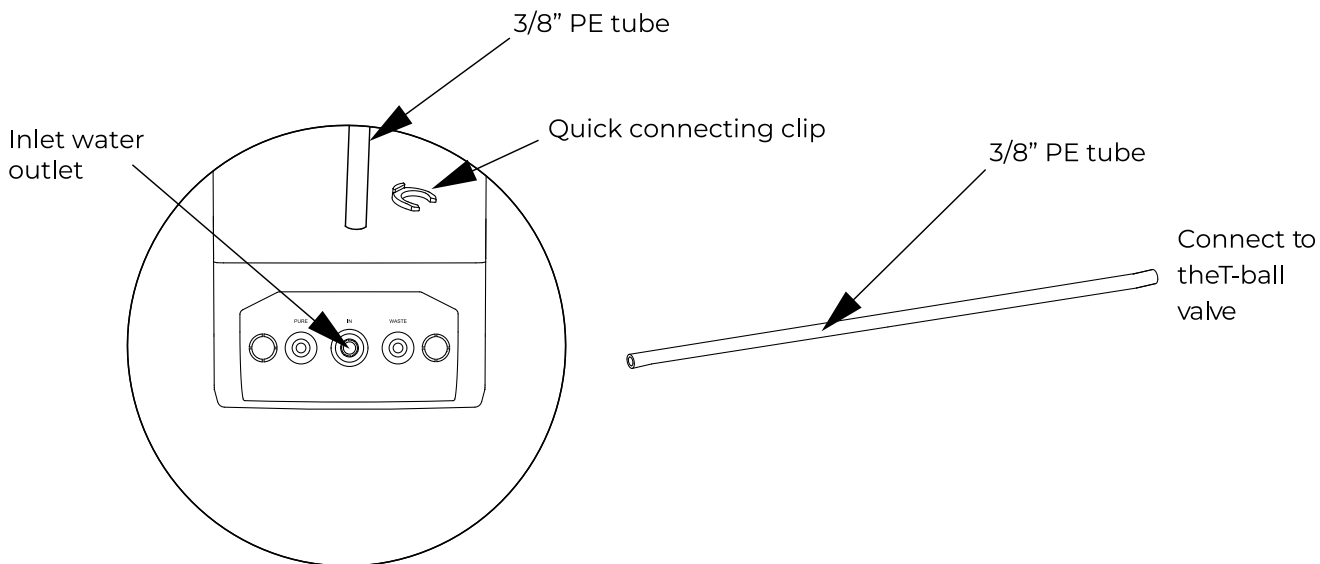
6. Filter installation: Remove the plastic wrap and protective cap of each filter. Place Filter 1 in the upper position, and Filter 2 in the lower position indicated in Figure 9. To properly install the filters, insert each filter all the way in its respective housing with the handle in a horizontal position, and once the filter cannot be pushed further in, turn the handle 90 degrees clockwise, as indicated in Figure 9. Ensure that only authorized filters are used as non-original spare parts may not fit the unit correctly and may cause damage and leakage which will invalidate the warranty.



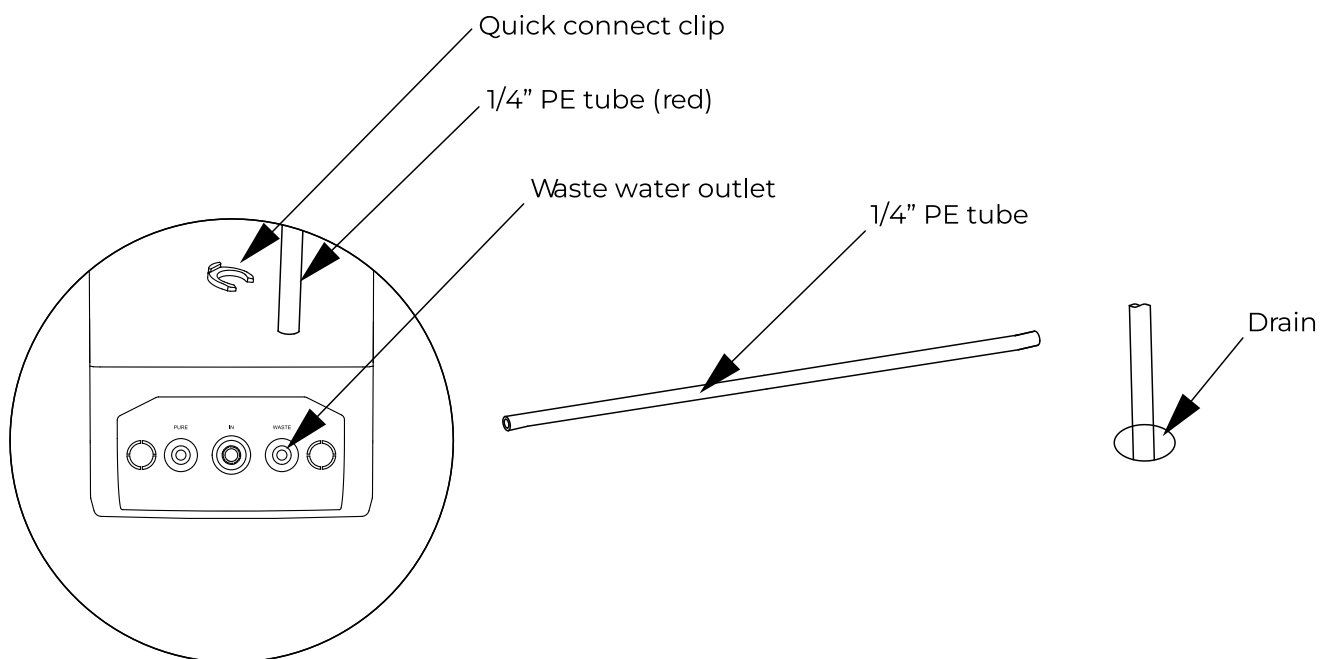
7. Water tubing installation: Trim all the PE tubing to an appropriate length, with a smooth, flush cut as indicated in Figure 10:



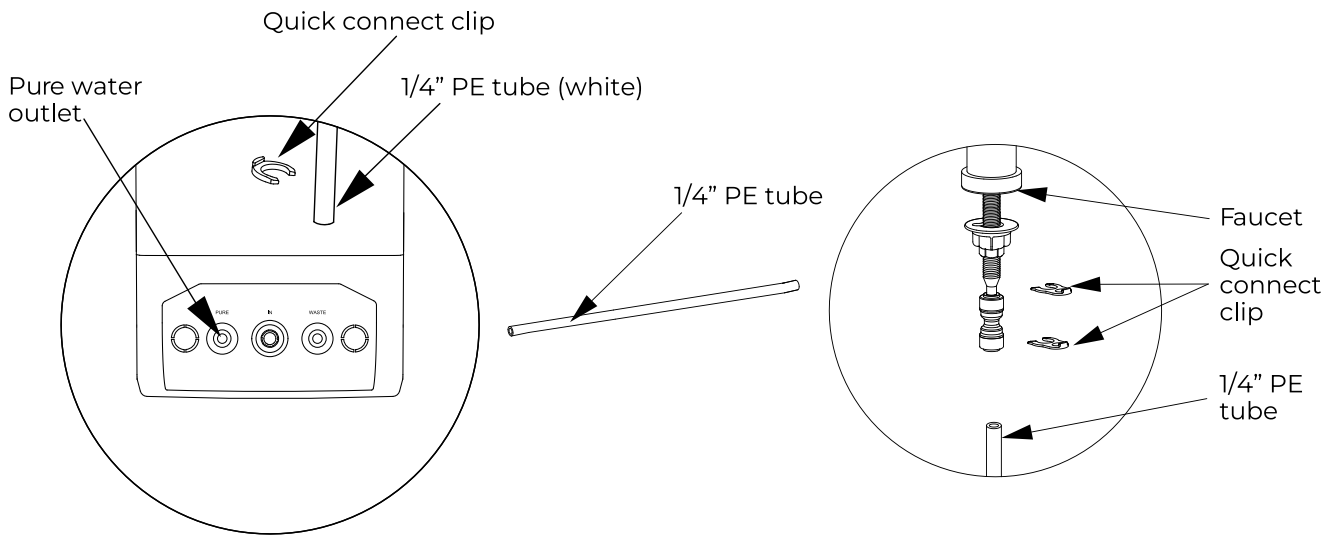
8. Connect the loose end of the 3/8" PE tube to the Inlet water outlet on the unit with the 3/8" clip, as shown in Figure 11.



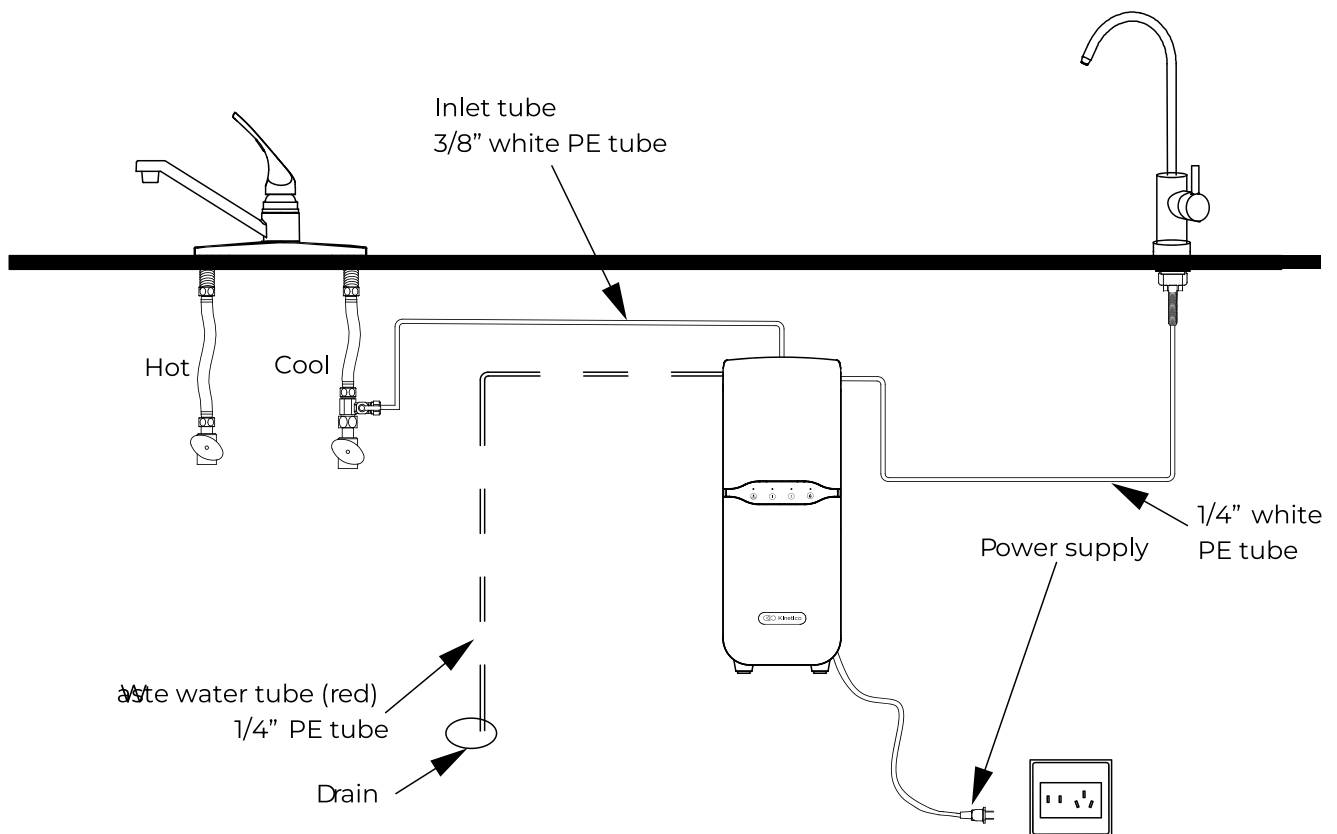
9. Connect one end of the 1/4" red PE tube to the Waste water outlet on the unit with the 1/4" clip, with the other end of the red PE tube connected to the wastewater drain, as indicated in Figure 12.



10. Connect one end of the 1/4" white PE tube to the Pure water outlet on the unit with the 1/4" clip, with the other end of the white PE tube connected to the faucet with a 1/4" clip, as indicated in Figure 13 (faucet and corresponding clip are sold separately).



11. Check that the installation tubes are all properly connected and sealed, with no water leakage at any of the joints. The wastewater outlet must be properly connected to the drain; do not use water storage devices to catch water so as not to risk overflow damaging the unit.



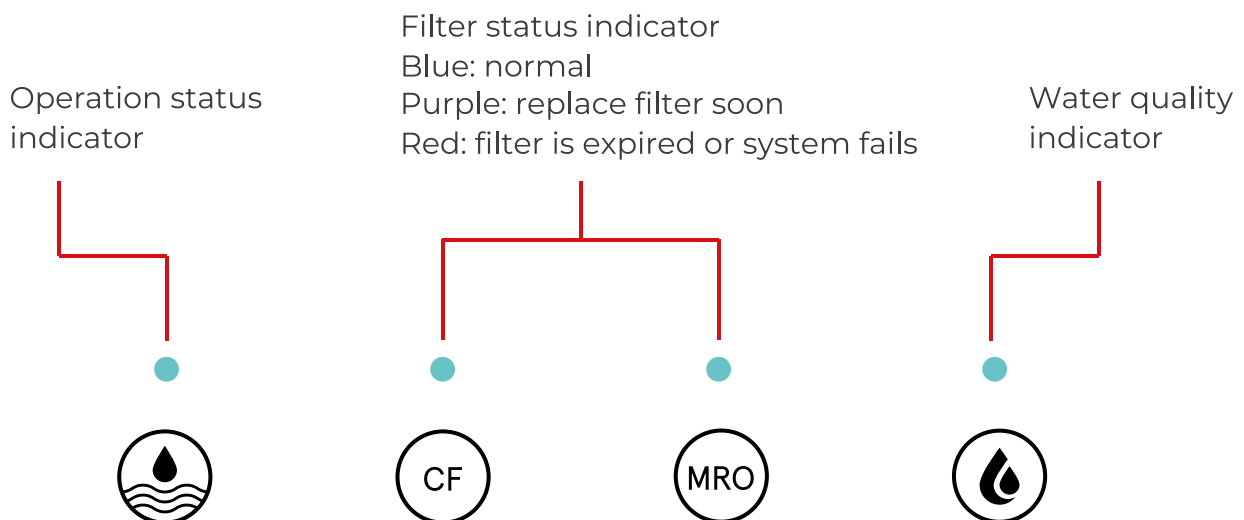
Instructions for use

Once the unit is properly installed and before drinking the water produced by the Premier Reverse Osmosis equipment for the first time, it is necessary to eliminate the loose carbon dust that is generated during the transport and handling of the cartridges. Turn on the faucet connected to the unit and let the water run until the water runs completely clear of carbon dust; this may require flushing the water for up to 20-30 minutes, depending on the situation.

While the unit is dispensing water to flush the carbon dust, be sure to carefully check the seals and various connection points of the tubing by wiping them with tissue paper to check for excess moisture. Once you have ensured that there is no continued water dripping from the faucet after it is turned off, the commissioning of the unit is complete.

DISPLAY STATUS

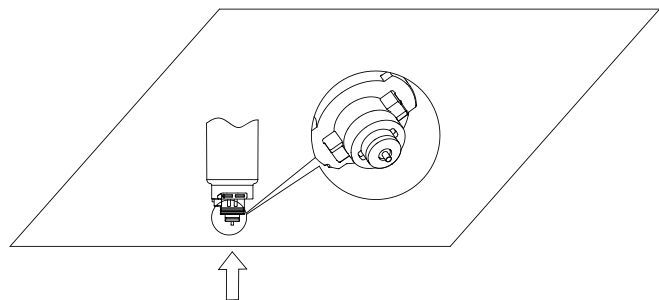
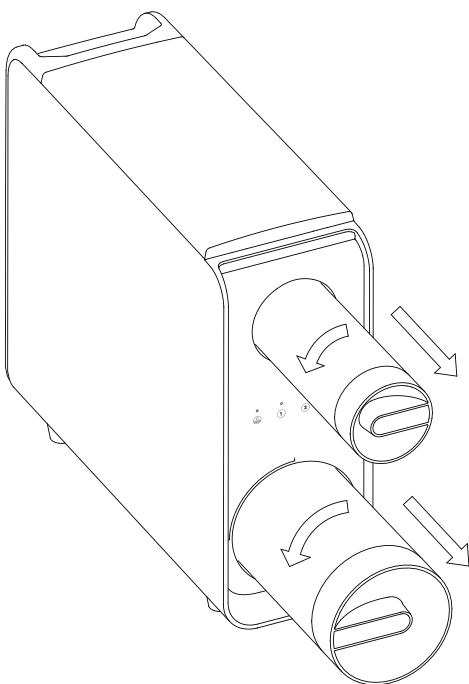
- **Operation status indicator:** will be illuminated blue while the equipment is dispensing water
- **Filter 1 and Filter 2 status indicators:**
 - Blue: normal filter life
 - Purple: filter is nearing the end of its life, contact your dealer soon to replace
 - Red: filter life is expired and is no longer working properly
- **Water quality status indicator:**
 - Blue: excellent water quality
 - Purple: adequate water quality
 - Red: poor water quality



- Other status indicators:
 - First power on: after powering on the unit, the unit will beep and the various display lights will illuminate at the same time, flashing 1 second through the various states (blue-purple-red), and 3 seconds on the monochrome lamp.
 - First system flush: The system will initially rinse the RO membrane for 5 minutes, after which the faucet should be turned on for 30 minutes to rinse the filters. During the rinsing, the water quality status indicator will flash blue.
 - Standby: The water quality status indicator will turn off while the other indicators will display real time status.

FILTER CHANGE PROCEDURE

1. Ensure that the pure water faucet is turned off and shut off the power supply to the unit.
2. The filter cartridge that requires replacement should be rotated counter-clockwise 90 degrees as shown in Figure 15, using the front handle. This will release pressure from the system, and the depleted cartridge can be removed from the unit by pulling it outwards.
3. Remove the plastic wrap and protective cap of the corresponding replacement filter cartridge, and insert into the housing with the handle in a horizontal position in the same direction of the cartridge which was just removed. Turn the handle clockwise 90 degrees.
4. Restore the power supply and turn on the faucet so that the unit can properly flush the new cartridge prior to using for the first time.



Maintaining your Premier RO equipment

Some components of your system have a limited life span and will need to be replaced. The precise duration will depend on the quality of the local water, the total amount of water consumed, the pattern of usage, and specific characteristics of the water to be treated such as high chlorination or excess hardness, etc. The below maintenance guidelines are indicative. Please consult the local dealer for further information.

RECOMMENDED MAINTENANCE

- Replace filter 1 at least every 12 months.
- Replace filter 2 approximately every 3 years.
- Sanitize the unit upon commissioning and at least every 12 months depending on use. Also, sanitize each time components in contact with water are accessed, or if no water has been consumed for more than a month.
- Maintenance must be carried out by trained personnel, who must handle the equipment properly, as well as use original spare parts to maintain the characteristics, warranty, certifications and performance of the equipment and thus ensure the quality of the water dispensed.
- All filter replacements are supplied in individual packaging designed to guarantee hygienic storage and transportation conditions. Exercise precautions to maintain hygiene after removing the filters from their packaging and when handling the various connectors and equipment components.
- Ensure that all joints are kept tightened and that the original hydraulic configuration of the system is kept as recommended.
- If you have any other questions, please consult the local dealer.



System specifications

Model	Kinetico Premier RO 800
Cabinet dimensions	415 x 155 x 485 mm (height x width x depth)
Power usage	100 W
Power supply	Output DC36V
	220V (187V ~ 242V) / 50Hz
Net weight	11.5 kg
Operating pressure	0.42 - 0.8 MPa
Water pressure	0.1 - 0.4 MPa
Water temperature	5 - 38 °C
Humidity rate	≤ 90% (at 25 °C)
Flow rate	2.1 lpm
Total net water vol.	4000 l
Maximum Hardness	170 ppm

NOTES

- The actual service life of each filter depends on the quality of the local tap water and amount of daily usage.
- If local water quality is above or below the average indicators, the life of the filters will be different than recommended. If one of the filters is prematurely blocked or fails, use the actual usage status as the basis for the replacement of the filter.
- The flow rate is tested at 25 °C; lower water temperatures will reduce the flow rate.



Troubleshooting

Failure	Causes	Solutions
Water leakage	1. Check if the PE tube is broken 2. Check if the PE tube is inserted in place 3. Check if the PE end has been out flat	1. Replace PE tube 2. Reinsert PE tube 3. Recut PE tube
	Confirm if the filter cartridges are installed in place	Reinstall the filter cartridges
	Confirm if the T-ball valve is installed in place	Reinstall the T-ball valve
No display	Confirm if the power supply is connected properly	Reconnect the power supply
	Confirm if the front cover is installed in place	Reinstall the front cover
The unit shuts off automatically	Confirm if the booster pump has timed out (the filters status indicators light flash red)	Restart the power
	Check if it is due the frequent start and stop of the booster pump (the filters status indicators light flash purple)	Confirm that the faucet is completely closed and there is no water leakage, then restart the power
	Check if it is due to water leakage protection (the filters and water quality status indicators light flash red at the same time)	Refer to the above solutions for water leakage; do not restart power until suspected leakage is resolved
	Check if it is due to low temperature protection (the filters and water quality status indicators light flash red at the same time)	Refer to the above solutions for water leakage; do not restart power until suspected leakage is resolved
Filter replacement reminder	Purple: the equipment beeps when faucet is turned on Red: the equipment beeps when faucet is turned on	1. The corresponding cartridge needs to be replaced as soon as possible 2. The corresponding cartridge has expired and needs to be replaced immediately



